

# FOR REFERENCE ONLY

**Applicability:**

CESSNA  
T210F, G, H, J, K, L, M, N, R  
TP206A, B, C, D, E  
TU206A, B, C, D, E, F, G

**Drawing:** AFC-W318**Revision:** A**Date:** 12/01/04**Airwolf Parts List No. AFC-W318-A**

| <b>Index</b> | <b>Part Number</b> | <b>Description</b>    | <b>Quantity</b> |
|--------------|--------------------|-----------------------|-----------------|
| 01.          | W-3002             | AirSep Assy           | (1)             |
| 02.          | W-2031             | Air Syphon Pump       | (1)             |
| 02a.         | W-2018-1           | Air-Tee               | (1)             |
| 03.          | W-2011             | Bracket               | (1)             |
| 04.          | MS27039C-0810      | Screw, #8 X 5/8"      | (4)             |
| 05.          | MS35338-42         | Lock Washer, #8       | (4)             |
| 06.          | A8K-75             | Rivnut, #8-32 X 7/16" | (4)             |
| 07.          | AN960-8            | Flat Washer, #8       | (4)             |
| 08.          | MS35489-23         | Grommet, 1" ID        | (1)             |
| 09.          | MIL6000-1/4        | Hose, 1/4" ID         | (48")           |
| 10.          | MIL6000-5/16       | Hose, 5/16" ID        | (48")           |
| 11.          | MIL6000-5/8        | Hose, 5/8" ID         | (38")           |
| 12.          | MIL6000-3/4        | Hose, 3/4" ID         | (15")           |
| 13.          | MM-4               | Hose Clamp, 1/4"      | (2)             |
| 14.          | MM-5               | Hose Clamp, 5/16"     | (2)             |
| 15.          | QS100M10H          | Hose Clamp, 5/8"      | (4)             |
| 16.          | QS100M12H          | Hose Clamp, 3/4"      | (2)             |
| 17.          | QS100M24H          | Hose Clamp, 1-1/2"    | (1)             |
| 18.          | QS100M72H          | Hose Clamp, 4-1/2"    | (1)             |
| 19.          | W-2100             | "C" Channel           | (10")           |
| 20.          | KW-2031            | Drainback Kit         | (1)             |
| 21.          | 655528             | Continental Gasket    | (1)             |
| 22.          | MS20074-04-46      | Bolt, 1/4" X 4-3/4"   | (1)             |
| 23.          | W-2004             | Bushing               | (1)             |
| 24.          | AN960-416          | Flat Washer, 1/4"     | (1)             |
| 25.          | MS35333-40         | Star Washer, 1/4"     | (1)             |
| 26.          | MS21919WDG-5       | Adel Clamp, 5/16"     | (1)             |
| 27.          | MS21919WDG-30      | Adel Clamp, 1-7/8"    | (1)             |
| 28.          | SCAT-7             | Duct, 1-3/4"          | (22")           |

# FOR REFERENCE ONLY

**Applicability:**

CESSNA  
P210N, R

**Drawing:** AFC-W318**Revision:** A**Date:** 12/01/04**Airwolf Parts List No. AFC-W318-B**

| <b>Index</b> | <b>Part Number</b> | <b>Description</b>                      | <b>Quantity</b> |
|--------------|--------------------|---|-----------------|
| 01.          | W-3014             | AirSep Assy, 3/4" Breather, 1/2" Vacuum | (1)             |
| 02.          | W-2014             | Air Syphon Pump                         | (1)             |
| 03.          | W-2018             | Air-Tee                                 | (1)             |
| 04.          | W-2154-2           | Shroud Tube, 1/4" Drain                 | (1)             |
| 05.          | W-2011             | Bracket                                 | (1)             |
| 06.          | W-2150             | Doubler                                 | (1)             |
| 07.          | AN526C1032R10      | Screw                                   | (5)             |
| 08.          | AN960-10           | Washer, #10                             | (5)             |
| 09.          | MS20365-1032A      | Locknut                                 | (5)             |
| 10.          | MIL6000-1/4        | Hose, 1/4" ID                           | (36")           |
| 11.          | MIL6000-5/16       | Hose, 5/16" ID                          | (36")           |
| 12.          | MIL6000-1/2        | Hose, 1/2" ID                           | (30")           |
| 13.          | MIL6000-3/4        | Hose, 3/4" ID                           | (24")           |
| 14.          | W-2100             | "C" Channel                             | (10")           |
| 15.          | MM-4               | Hose Clamp, 1/4"                        | (2)             |
| 16.          | MM-5               | Hose Clamp, 5/16"                       | (2)             |
| 17.          | QS100M08H          | Hose Clamp, 1/2"                        | (4)             |
| 18.          | QS100M12H          | Hose Clamp, 3/4"                        | (2)             |
| 19.          | QS100M24H          | Hose Clamp, 1-1/2"                      | (1)             |
| 20.          | QS100M72H          | Hose Clamp, 4-1/2"                      | (1)             |
| 21.          | MS21919WDG-30      | Adel Clamp, 1-3/4" Long                 | (1)             |
| 22.          | CAT-7              | Duct, 1-3/4"                            | (24")           |

# FOR REFERENCE ONLY

**Applicability:**

**CESSNA  
T206H**

**Drawing: AFC-W318**

**Revision: A**

**Date: 12/01/04**

**Airwolf Parts List No. AFC-W318-C**

| <b><u>Index</u></b> | <b><u>Part Number</u></b> | <b><u>Description</u></b>                           | <b><u>Quantity</u></b> |
|---------------------|---------------------------|---|------------------------|
| 01.                 | W-3026-B                  | AirSep Assy, 3/4" Breather, 1/2" Vacuum, 3/8" Drain | (1)                    |
| 02.                 | W-2011                    | Bracket   | (1)                    |
| 03.                 | W-2150                    | Doubler   | (1)                    |
| 04.                 | AN526C1032R10             | Screw   | (5)                    |
| 05.                 | AN960-10                  | Washer, #10   | (5)                    |
| 06.                 | MS20365-1032A             | Locknut   | (5)                    |
| 07.                 | MIL6000-3/8               | Hose, 3/8" ID                                       | (24")                  |
| 08.                 | MIL6000-5/8               | Hose, 5/8" ID                                       | (24")                  |
| 09.                 | MIL6000-3/4               | Hose, 3/4" ID                                       | (24")                  |
| 10.                 | W-2100                    | "C" Channel   | (5")                   |
| 11.                 | MM-5                      | Hose Clamp, 3/8"                                    | (2)                    |
| 12.                 | QS100M10H                 | Hose Clamp, 5/8"                                    | (2)                    |
| 13.                 | QS100M12H                 | Hose Clamp, 3/4"                                    | (2)                    |
| 14.                 | QS100M24H                 | Hose Clamp, 1-1/2"                                  | (1)                    |
| 15.                 | QS100M72H                 | Hose Clamp, 4-1/2"                                  | (1)                    |
| 16.                 | MS21919WDG-30             | Adel Clamp, 1-3/4" Long                             | (1)                    |
| 17.                 | CAT-7                     | Duct, 1-3/4"  | (24")                  |

**Applicability:**

**CESSNA**  
**T210F, G, H, J, K, L, M, N, R**  
**TP206A, B, C, D, E**  
**TU206A, B, C, D, E, F, G**

**Drawing: AFC-W318****Revision: B****Date: 06/01/05**

*Note A: Some hoses or wires may have to be rerouted so the air/oil separator will fit into position.  
Reference and material per AC 43.13-1B & 2A.*

**WARNING: ALL HOSES SHALL BE LOCATED AT LEAST 4.0" FROM ANY HEAT SOURCE LIKELY TO CAUSE VAPORIZATION OF THE OIL.**

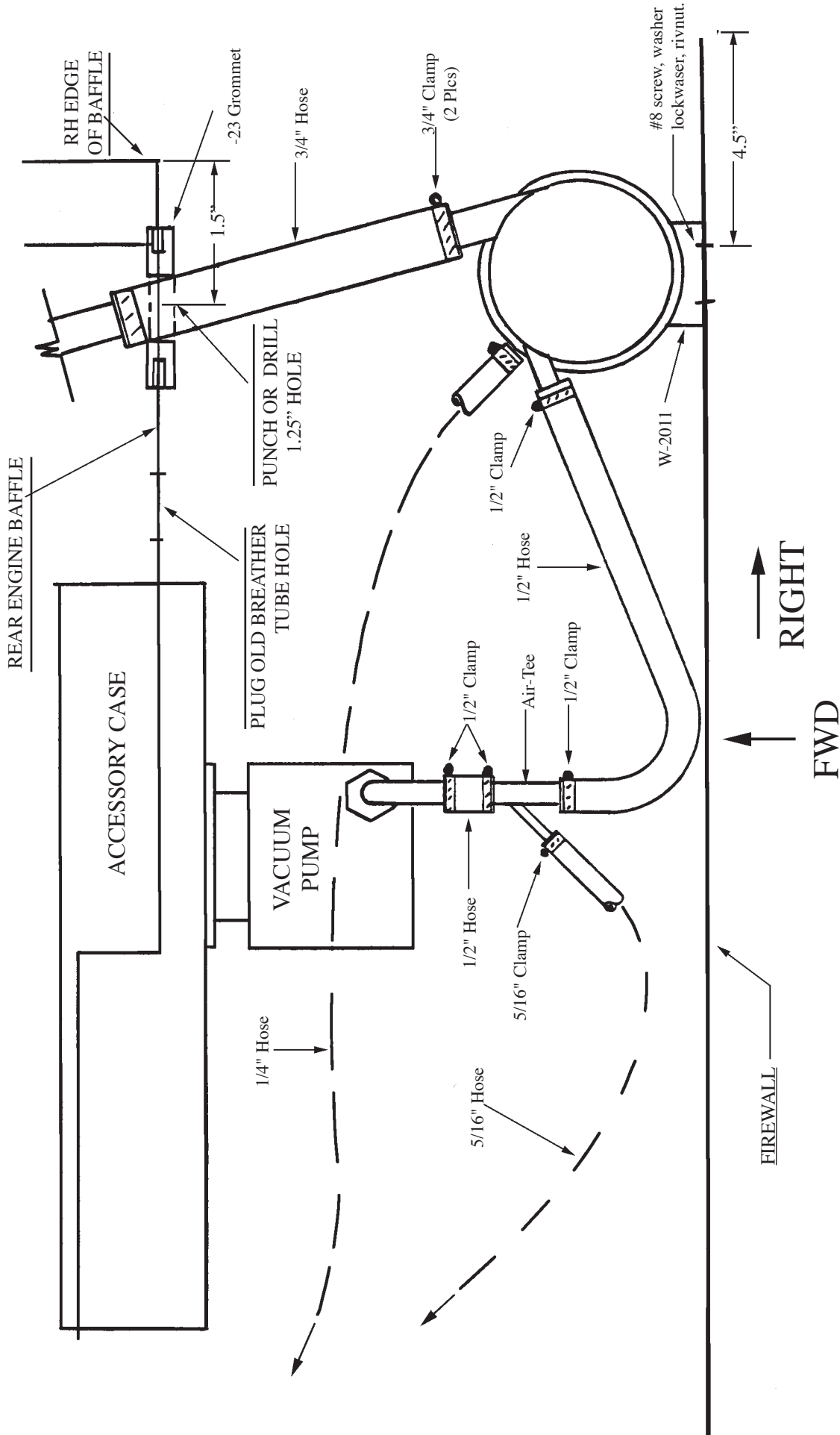
01. Cut the existing 3/4" inch breather tube two inches forward of the rear engine baffle, and remove the section from the baffle down to the cowl flap.
02. Plug the old breather tube hole in the rear baffle.
03. Locate a position 1.5" from the top and right side of the rear baffle. Drill a 1.25" hole at that point and install the -23 grommet into the hole.
04. Locate a position 4.5" from the right side of the aircraft and 3.5" down from the top of the cowl.
05. Being careful no to drill any wires, tubes, etc., behind the firewall, drill a #11 hole at the located position and install one rivnut
06. Position the W-2011 bracket on the firewall and secure it in place, square on the firewall using 1 ea #8 screw, washer, & lockwasher.
07. Locate the other 3 holes. Remove the W-2011 bracket and drill the other 3 holes. Reinstall the bracket using the additional #8 screws, washers, & lockwashers.
08. Position the 4-1/2" clamp between the W-2011 bracket and the firewall.
09. Secure the AirSep to the W-2011 bracket using the 4-1/2" clamp, and with the 3/4" inlet tube pointing forward toward the installed -23 grommet.
10. Install the 3/4" hose through the grommet and connect between the 3/4" AirSep inlet and the cut off existing breather tube, Secure using 3/4" clamps.
11. If the outlet tube on the vacuum pump is in the shape of an upside down "U", cut off the part of the tube before it turns downward, leaving enough of the tube running horizontally to secure a hose to it. Install the 1/2" hose over the cut off end of the existing tube, and point it to the left.
12. Install the Air-Tee in the other end of the 1/2" hose. Clamp both ends of the hose using 1/2" clamps.
13. Install the 1/2" hose over the remaining 1/2" end of the Air-Tee (Item 13) and the other end of the hose over the 1/2" inlet port of the AirSep. Secure both ends using 1/2" clamps.
14. Install the rocker cover modification kit on the #2 cyl. Rocker cover in accordance with KW-2031. Use the new 655528 TCM gasket in the kit for re-installation of the rocker cover.
15. Install the AirSyphon Pump on the modified rocker cover with the exposed ends of the tubes facing aft.
16. Secure the AirSyphon Pump on the valve cover, using -46 Bolt, W-2004 bushing, -40 Washer, -41 Lockwasher, & -5 Adel.
17. Install the 1/4" hose and connect the 1/4" AirSep drain to the 1/4" inlet branch of the AirSyphon Pump. Secure both ends using 1/4" clamps.
18. Install the 5/16" hose and connect the 5/16" branch of the Air-Tee to the 5/16" branch of the Air Syphon Pump. Secure both ends using 5/16" clamps.
19. Install the 1-3/4" duct to the bottom of the AirSep and secure with 1-1/2" clamp.
20. Secure the lower end of the 1-3/4" duct to the cowl flap cable block, using -30 adel and #10 screw, washer, and lockwasher.
21. Determine weight & balance, initiate Form 337, and update the equipment list.

*Note A: Some hoses or wires may have to be rerouted so the air/oil separator will fit into position.  
Reference and material per AC 43.13-1B & 2A.*

**WARNING: ALL HOSES SHALL BE LOCATED AT LEAST 4.0" FROM ANY HEAT SOURCE LIKELY TO CAUSE VAPORIZATION OF THE OIL.**

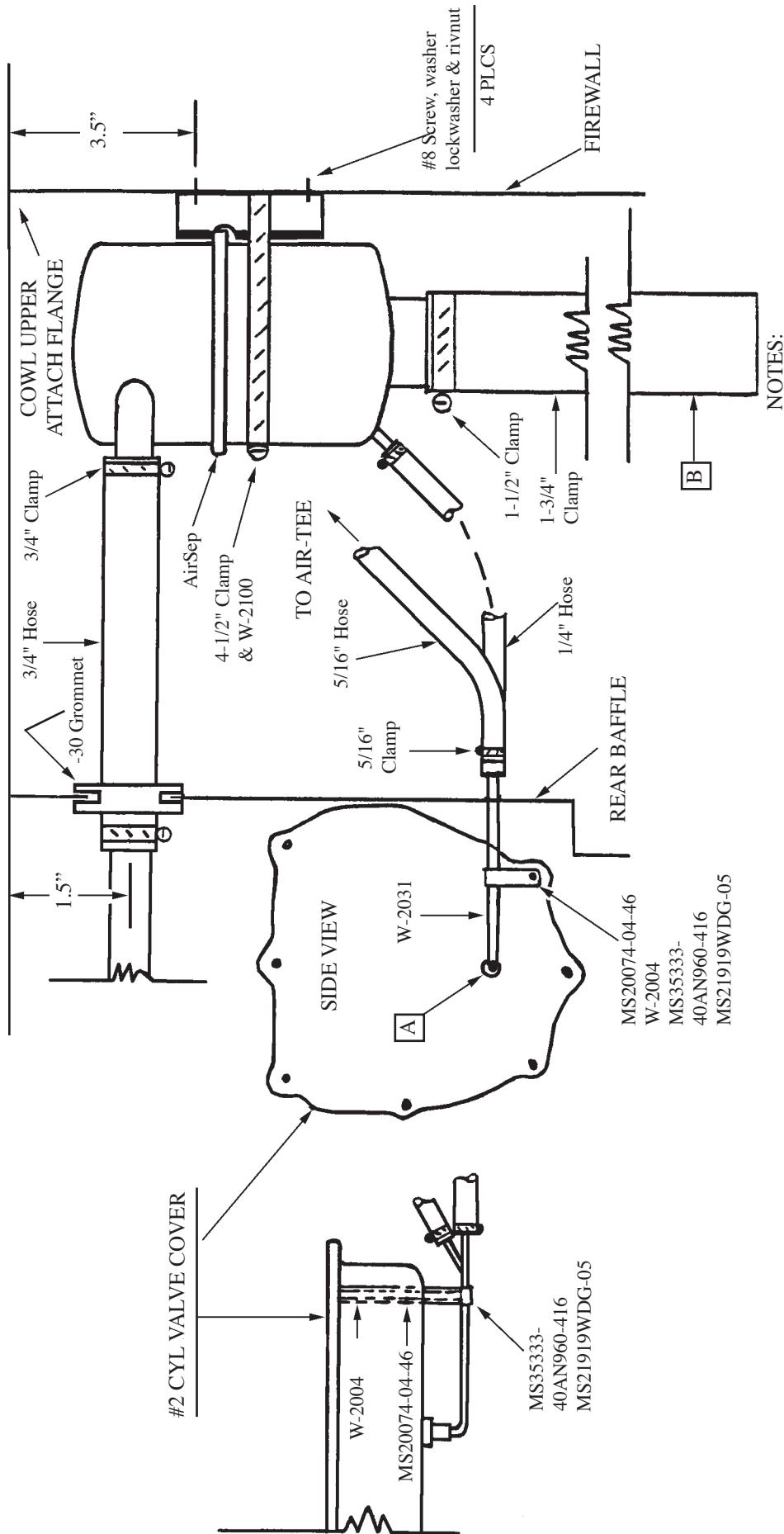
01. Cut the existing 3/4" inch breather tube two inches forward of the rear engine baffle, and remove the section from the baffle down to the cowl flap.
02. Plug the old breather tube hole in the rear baffle.
03. Locate a position 1.5" from the top and right side of the rear baffle. Drill a 1.25" hole at that point and install the -23 grommet into the hole.
04. Locate a position 4.5" from the right side of the aircraft and 3.5" down from the top of the cowl..
05. Being careful no to drill any wires, tubes, etc., behind the firewall, drill a #11 hole at the located position and install one rivnut
06. Position the W-2011 bracket on the firewall and secure it in place, square on the firewall using 1 ea #8 screw, washer, & lockwasher.
07. Locate the other 3 holes. Remove the W-2011 bracket and drill the other 3 holes. Reinstall the bracket using the additional #8 screws, washers, & lockwashers.
08. Position the 4-1/2" clamp between the W-2011 bracket and the firewall.
09. Secure the AirSep to the W-2011 bracket using the 4-1/2" clamp, and with the 3/4" inlet tube pointing forward toward the installed -23 grommet.
10. Install the 3/4" hose through the grommet and connect between the 3/4" AirSep inlet and the cut off existing breather tube, Secure using 3/4" clamps.
11. If the outlet tube on the vacuum pump is in the shape of an upside down "U", cut off the part of the tube before it turns downward, leaving enough of the tube running horizontally to secure a hose to it. Install the 1/2" hose over the cut off end of the existing tube, and point it to the left.
12. Install the Air-Tee in the other end of the 1/2" hose. Clamp both ends of the hose using 1/2" clamps.
13. Install the 1/2" hose over the remaining 1/2" end of the Air-Tee (Item 13) and the other end of the hose over the 1/2" inlet port of the AirSep. Secure both ends using 1/2" clamps.
14. Install the rocker cover modification kit on the #2 cyl. Rocker cover in accordance with KW-2031.  
Use the new 655528 TCM gasket in the kit for re-installation of the rocker cover.
15. Install the AirSyphon Pump on the modified rocker cover with the exposed ends of the tubes facing aft.
16. Secure the AirSyphon Pump on the valve cover, using -46 Bolt, W-2004 bushing, -40 Washer, -41 Lockwasher, & -5 Adel.
17. Install the 1/4" hose and connect the 1/4" AirSep drain to the 1/4" inlet branch of the AirSyphon Pump.  
Secure both ends using 1/4" clamps.
18. Install the 5/16" hose and connect the 5/16" branch of the Air-Tee to the 5/16" branch of the Air Syphon Pump.  
Secure both ends using 5/16" clamps.
19. Install the 1-3/4" duct to the bottom of the AirSep and secure with 1-1/2" clamp.
20. Secure the lower end of the 1-3/4" duct to the cowl flap cable block, using -30 adel and #10 screw, washer, and lockwasher.
21. Determine weight & balance, initiate Form 337, and update the equipment list.

**WARNING: ALL HOSES SHALL BE LOCATED AT LEAST 4.0" FROM ANY HEAT SOURCE LIKELY TO CAUSE VAPORIZATION OF THE OIL.**



Drawing: AFC-W318  
 Revision: B  
 Date: 06/01/05

Applicability:  
 CESSNA  
 T210F, G, H, J, K, L, M, N, R  
 TP206A, B, C, D, E  
 TU206A, B, C, D, E, F, G



**A** MODIFY #2 CYL ROCKER COVER I/A/W  
KIT P/N AFC-KW-2031 (Enclosed)

**WARNING:** ALL HOSES SHALL BE LOCATED AT LEAST 4.0" FROM ANY HEAT SOURCE LIKELY TO CAUSE VAPORIZATION OF THE OIL.

**B** DUCT SHOULD NOT PROTRUDE BELOW  
A POINT 8.0" ABOVE THE LOWER COWL  
SKIN LINE. SECURE DUCT TO COWL  
FLAP FLEX CABLES USING GOOD SHOP  
PRACTICES.

NOTES:

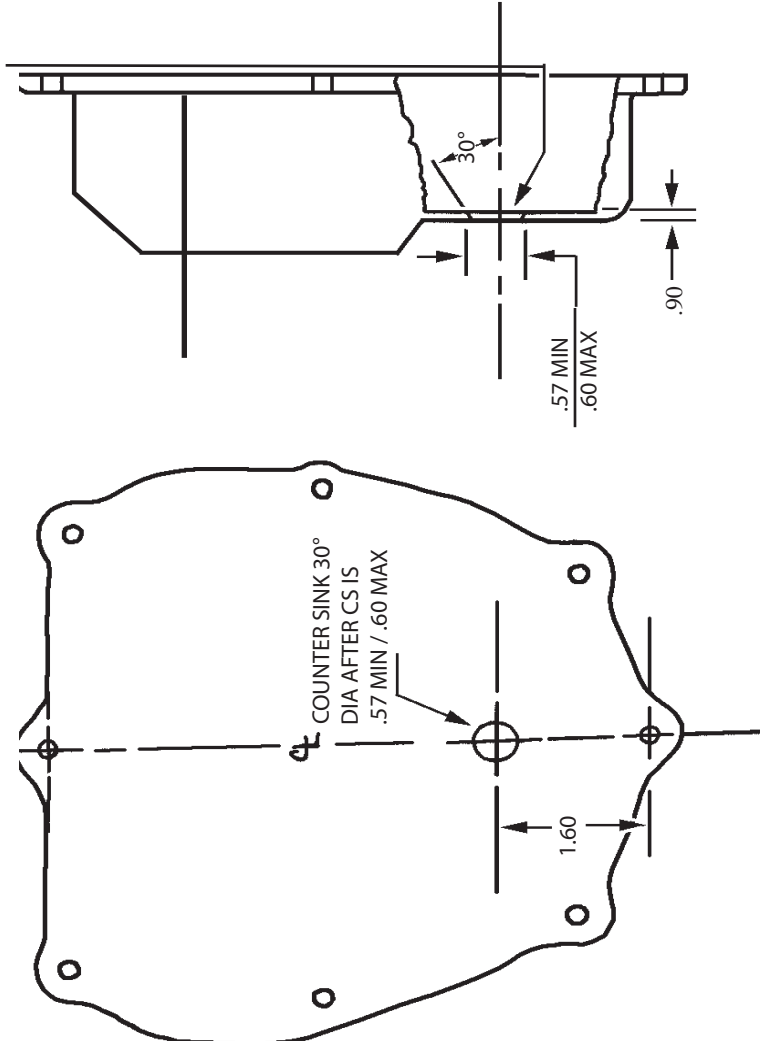
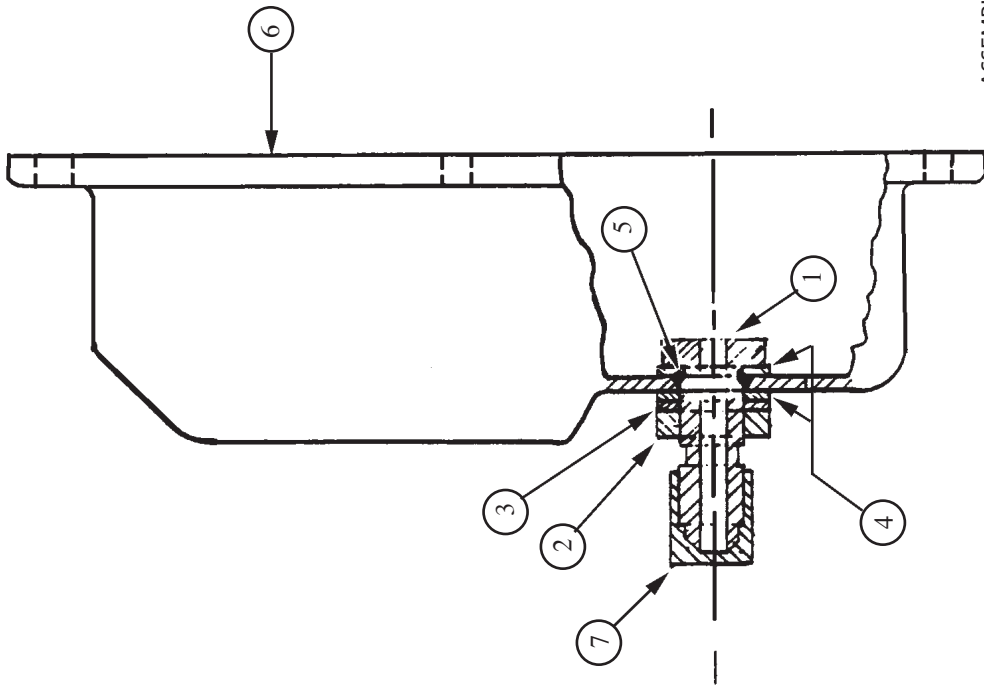
Applicability:

CESSNA  
T210F, G, H, J, K, L, M, N, R  
TP206A, B, C, D, E  
TU206A, B, C, D, E, F, G

Drawing: AFC-W318

Revision: B

Date: 06/01/05



DRAWING: DLW-2031

**ASSEMBLY INSTRUCTIONS:**

1. DRILL ROCKER BOX COVER PER SHEET 2.
2. INSTALL ITEM 4 ONTO ITEM 1.
3. INSTALL ITEM 5 ONTO ITEM 1, AGAINST ITEM 4.
4. INSTALL ITEM 1 INTO DRILLED HOLE IN ROCKER BOX COVER FROM INSIDE POINTING OUTWARD.
5. INSTALL IN ORDER, ITEM 4, 3, & 2, ONTO ITEM 1 AND TIGHTEN.
6. INSTALL ITEM 7 ONLY IF NO AIR/OIL SEPARATOR IS TO BE INSTALLED AT THIS TIME.

**DRAWING DLW-2031**

**NOTE:**  
THIS RETURN FITTING IS APPROVED ONLY FOR RETURNING OIL FROM THE FAA AP-

| QTY | ITEM | PART#        | DESCRIPTION                     |
|-----|------|--------------|---------------------------------|
| 1   | 7    | AN20-5D      | Blockoff Cap, -5 [Not Included] |
| 1   | 6    | 625615       | Rocker Box Cover [Not Included] |
| 1   | 5    | M83248/1-013 | Viton O-Ring, 1/2"              |
| 2   | 4    | AN960-PD816  | Flat Washer, 1/2"               |
| 1   | 3    | MS35333-44   | Lock Washer, 1/2"               |
| 1   | 2    | AN924-5D     | Nut, -5                         |
| 1   | 1    | AN832-5D-SP  | Bulkhead Fitting, -5            |